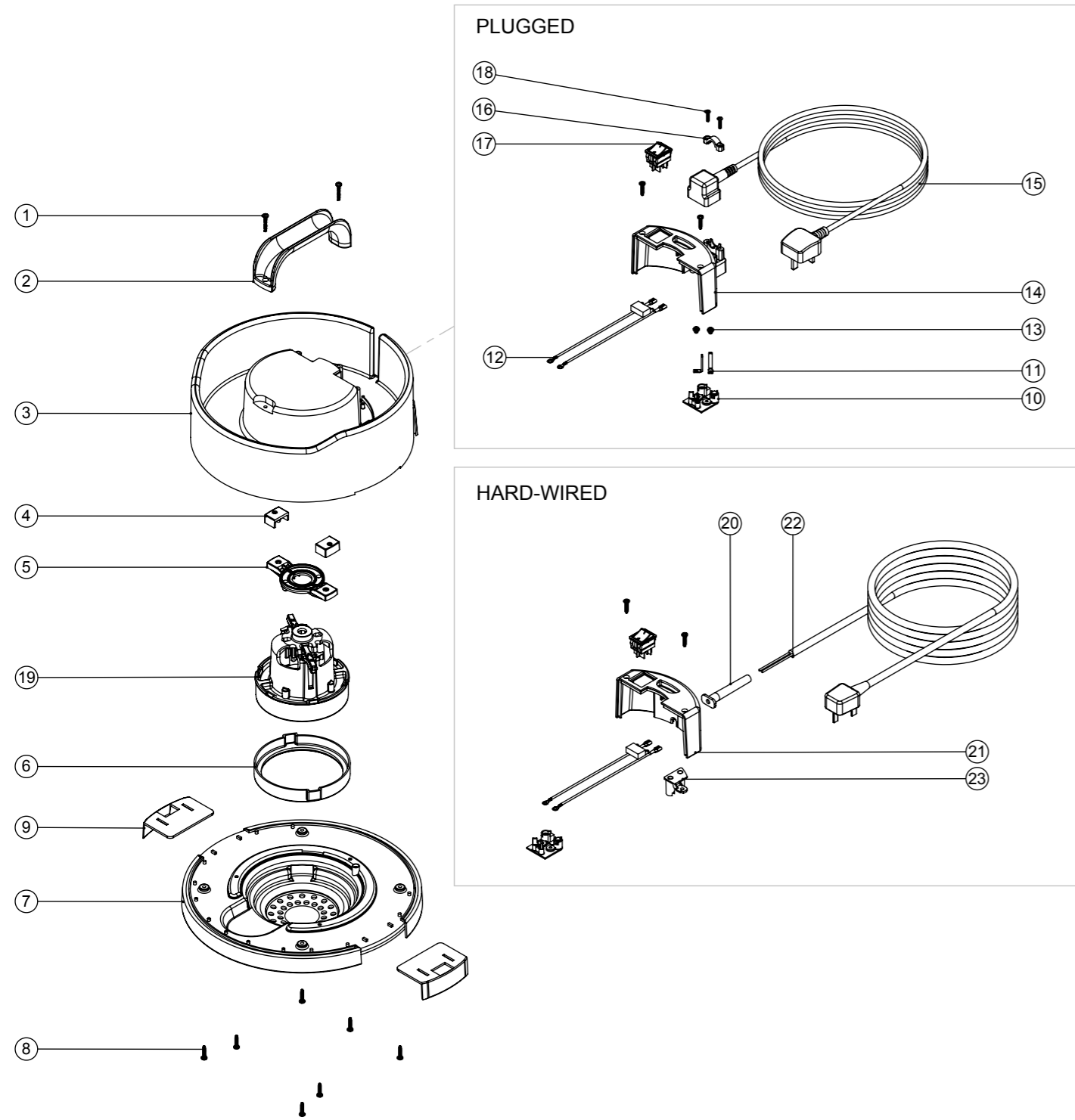


# Numatic International Spare Parts

**Model No:** HEAD STYLE 5 ASSEMBLY 1-STAGE 1-SPEED EXPLODED

**Models:** (NUV, NVP, NVH (LOW TOP MC) (UK ONLY))

NA  
DRAWING: DRW-16815 ISS:A01  
09/01/2015



# Numatic International Spare Parts

**Model No:** HEAD STYLE 5 ASSEMBLY 1-STAGE 1-SPEED EXPLODED

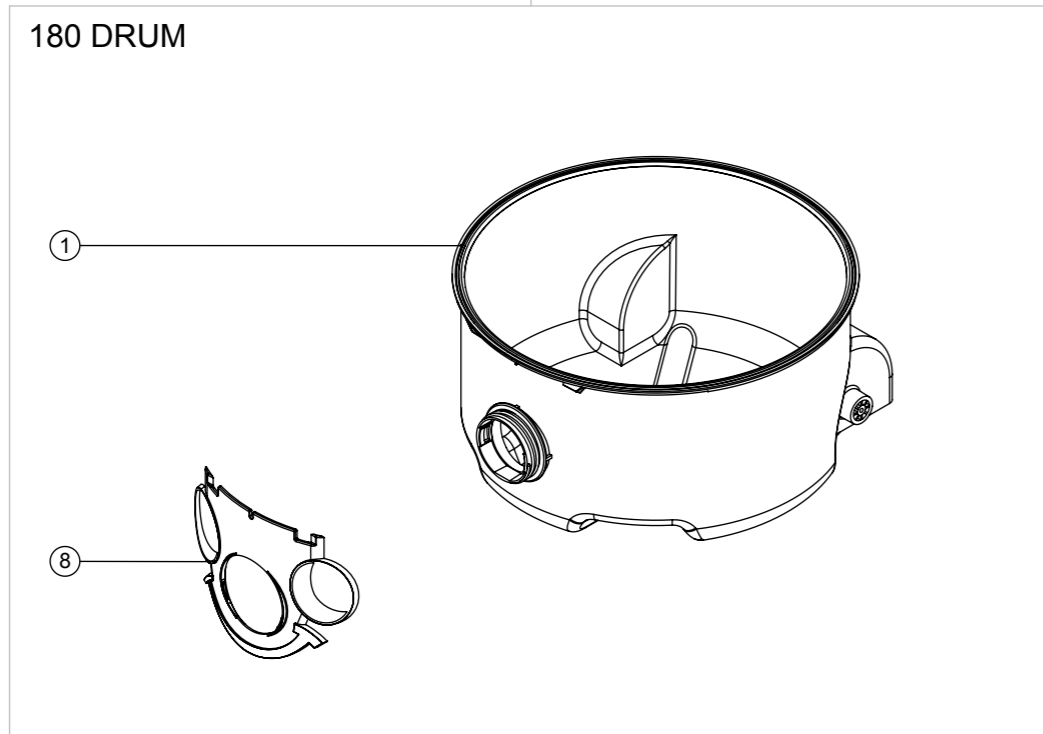
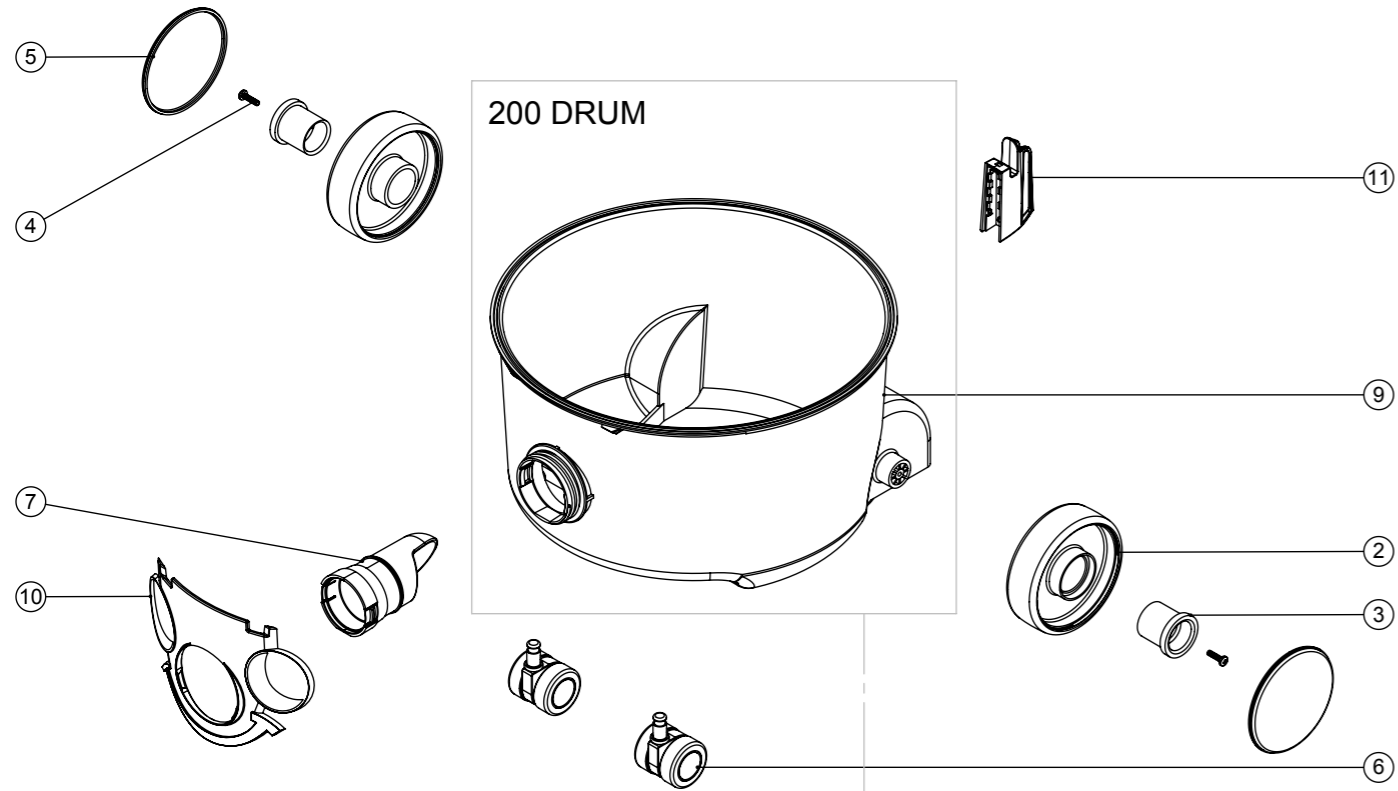
ITEM:	PART No:	Description	QTY.	COMMENTS:
1	219104	No8 X 1 INCH LONG POZI PAN PLASTITE SCREW	2	
2	206451	HANDLE	1	
3	-	NNV ROUND EDGE TOP	1	CONTACT NUMATIC FOR DETAILS
4	227438	RUBBER END PAD	2	
5	227432	MOTOR PLATE	1	
6	202092	BOTTOM MOTOR GASKET	1	
7	227343	GREY BOTTOM MOTOR HOUSING	1	
8	219041	No8 X 3/4 INCH LONG POZI PAN SCREW	9	
9	227115	TOGGLE	2	
10	325255	TERMINAL BLOCK C/W INSERTS	1	
11	206562	CONTACT PIN	2	
12	220859	SUPPRESSOR ASSEMBLY	1	
13	219090	M4 X 8MM LONG POZI PAN SEMS SCREW	2	
14	227368	SWITCH COVER	1	
15	236009	10.0M X 1.00MM X 2 CORE NUCABLE (UK PLUG)	1	CONTACT NUMATIC FOR MORE DETAILS IF REQUIRED
	236013	10.0MT X 1MM X 2 CORE CABLE (SOCKET + PLUG) EURO	1	
16	227564	PLUG LOCATION CLAMP	1	
17	220582	GREEN ROCKER SWITCH (WHITE PRINT) 0-1	1	
18	219107	No6 X 5/8 INCH LONG POZI PAN PLASTITE SCREW	2	
19	205840	MOTOR 600W (DL1653T) #063200462	1	
20	220923	STRESS RELIEF	1	
21	227342	GREY SWITCH BOX	1	
22	236033	10.0M X 1.00MM X 2 CORE CABLE (UK PLUG)	1	CONTACT NUMATIC FOR MORE DETAILS IF REQUIRED
	236034	10.0M X 1.00MM X 2 CORE CABLE (EURO PLUG)	1	
23	325212	TERMINAL BLOCK + INSERTS	1	

**FOR WIRING DIAGRAMS PLEASE SEE DOC-21993 (REFER ONLY TO THE LATEST VERSION) OR NUMATIC WEBSITE**

**Numatic International Spare Parts**

**Model No:** DRUM STYLE 1 - EXPLODED DIAGRAM

NA  
DRAWING: DRW-15614 ISS:A01  
23/12/2014



**Numatic International Spare Parts**

**Model No:** DRUM STYLE 1 - EXPLODED DIAGRAM

ITEM:	PART No:	Description	QTY.	COMMENTS:
1	-	180 PARALLEL DRUM	1	CONTACT NUMATIC FOR DETAILS
2	227640	2 SHOT WHEEL ASSEMBLY	2	
3	227868	WHEEL HUB FOR 2 SHOT WHEEL	2	
4	219105	No8 X 5/8 INCH LONG POZI PAN PLASTITE SCREW	2	
5	-	WHEEL TRIM	2	CONTACT NUMATIC FOR DETAILS
6	204000	40MM PU-TYRED BLACK TWIN WHEEL CASTOR	2	
7	237119	FRONT FIT BAG CONNECTOR	1	
8	-	PARALLEL SNAP FIT FACE PRINTED	1	CONTACT NUMATIC FOR DETAILS
9	-	200 DRUM	1	CONTACT NUMATIC FOR DETAILS
10	-	HENRY SNAP FIT FACE	1	CONTACT NUMATIC FOR DETAILS
11	237578	Wand Dock (Eco)	1	

COMPATIBLE FILTER BAGS - SEE DRW-15712 FOR DETAILS		
DESCRIPTION	ITEM NO.	QTY PER PACK.
NVM-1CH HEPAFLO DUST BAGS	604015	10